



## Y Strainer



CSA Y-Strainers are made of ductile cast iron and are suitable for collect and retain any impurity present in the pipeline. The filter basket, made of steel 304 stainless steel, it is extractable. The cap has a hole drain for cleaning the filter.

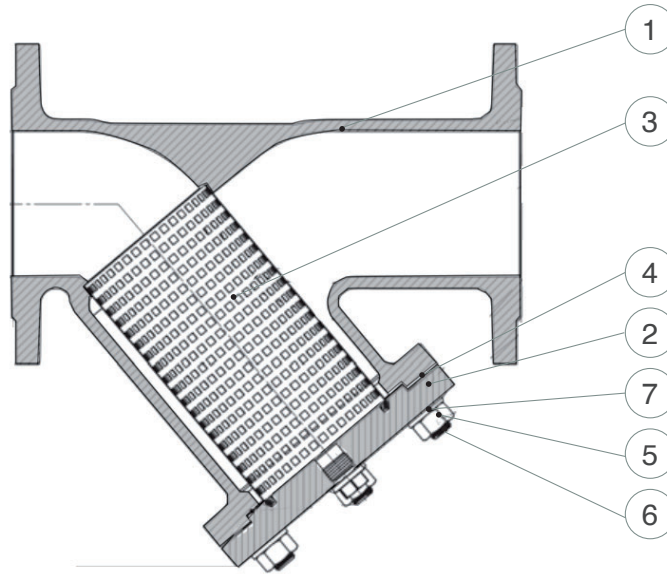
### Working conditions

Maximum temperature: 80°C.  
Minimum pressure on the pilot : 0,5 bar plus head loss.  
Maximum pressure : 25 bar.

### Standard

Certified and tested in compliance with EN 12266-1  
Flanges according to EN 1092/2  
Epoxy painting applied through FBT technology blue RAL 5005.

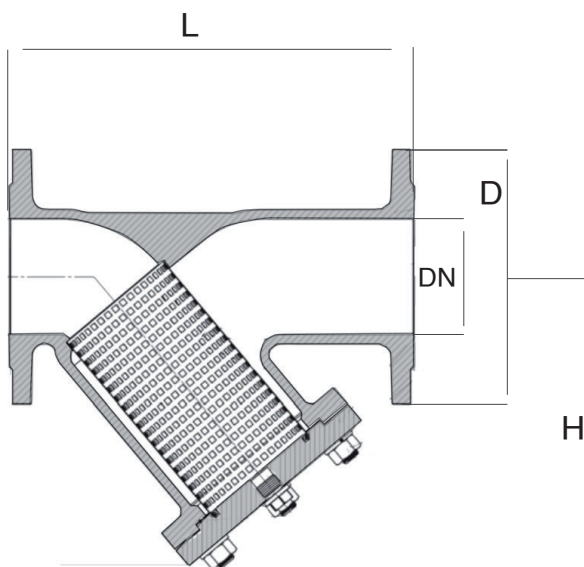
## Technical details



N.	Component	Standard material	
1	Body	EN-GJL-500 (Epoxy coated)	
2	Cap	EN-GJL-500 (Epoxy coated)	
3	Basket	stainless steel AISI 304	
4	Gasket	NBR	
5	Nuts	stainless steel A2	
6	Bolts	stainless steel A2	
7	Washer	stainless steel A2	

The list of materials and components is subject to changes without notice.

## Weight and Dimensions



DN(mm)	L (mm)	H (mm)	D (mm)	KG
15	130	70	95	2.5
20	150	70	105	3.5
25	160	86	115	4.5
32	180	102	140	6.5
40	200	108	150	7.5
50	230	118	165	8.3
65	290	141	185	17
80	310	160	200	20
100	350	190	220	25
125	400	223	250	37.5
150	480	295	285	56
200	600	368	340	98
250	730	515	405	139.5
300	850	560	460	208.5
350	980	620	520	250
400	1100	710	580	310
450	1200	1100	640	480
500	1250	1230	715	580
600	1450	1500	840	694
700	1650	1640	910	970
800	1850	1750	1025	1200
900	2050	1845	1125	2000
1000	2250	2000	1255	2200